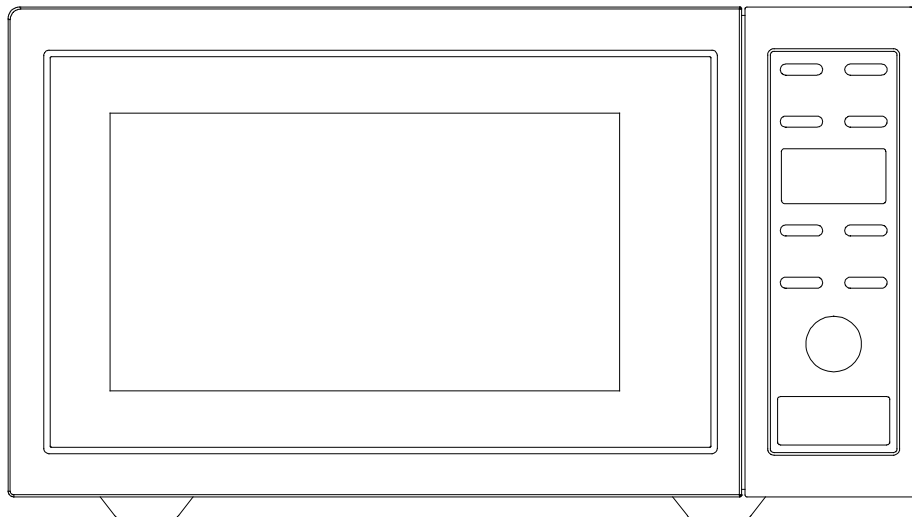


**MICROWAVE OVEN
INSTRUCTIONS
25UX90**



English - Original



CONTENT

Precautions to Avoid Possible Exposure to Excessive Microwave Energy	3
Important Safety Instructions	3
Specifications	5
Installation Guide	6
Grounding Instructions	6
Radio Interference	7
Before Calling For Service	7
Cooking Techniques	7
Cooking Utensils Guide	7
Product Diagram	9
Control Panel	10
Operation Instructions	11
Setting Clock	11
Quick Start	11
Microwave Cooking	11
Weight Defrost	12
Grill Cooking	12
Combination Cooking	12
Setting Child Lock	12
Preset Function	13
Auto Cook	13
Cleaning and Care	15
Spare parts list	16



PRECAUTIONS TO AVOID POSSIBLE EXPOSURE TO EXCESSIVE MICROWAVE ENERGY

1. Do not attempt to operate this oven with the door open since open-door operation can result in harmful exposure to microwave energy. It is important not to defeat or tamper with the safety interlocks.
2. Do not place any object between the oven front face and the door or allow soil or cleaner residue to accumulate on sealing surfaces.
3. Do not operate the oven if it is damaged. It is very important that the oven door close properly and that there is no damage to the
 - a) Door (including any dents),
 - b) Hinges and latches (broken or loosened),
 - c) Door seals and sealing surfaces.
4. The oven should not be adjusted or repaired by anyone except qualified service personnel.

IMPORTANT SAFETY INSTRUCTIONS

When using electrical appliance basic safety precautions should be followed, including the following:

WARNING: To reduce the risk of burns, electric shock, fire, injury to persons or exposure to excessive microwave energy, read all instructions before using the appliance and keep for future reference:

1. Use this appliance only for its intended use as described in this manual. Do not use corrosive chemicals or vapors in this appliance. This type of oven is specifically designed to heat, cook or dry food. It is not designed for industrial or laboratory use.
2. Do not operate the oven when empty.
3. Do not operate this appliance if it has a damaged cord or plug, if it is not working properly or if it has been damaged or dropped. If the supply cord is damaged, it must be replaced by the manufacturer or its service agent or a similarly qualified person in order to avoid a hazard.
4. **WARNING:** Only allow children to use the oven without supervision when adequate instructions have been given so that the child is able to use the oven in a safe way and understands the hazards of improper use.
5. **WARNING:** It is hazardous for anyone other than a trained person to carry out any service or repair operation which involves the removal of any cover which gives protection against exposure to microwave energy.
6. To reduce the risk of fire in the oven cavity:
 - a. When heating food in plastic or paper container, keep an eye on the oven due to the possibility of ignition.
 - b. Remove wire twist-ties from paper or plastic bags before placing bag in oven.
 - c. If smoke is observed, switch off or unplug the appliance and keep the door closed in order to stifle any flames.
 - d. Do not use the cavity for storage purposes. Do not leave paper products, cooking utensils or food in the cavity when not in use.
 - e. The microwave oven is intended for heating food and beverages. Drying of clothing and heating of warming pads, slippers, sponges, damp cloth and similar may lead to risk of injury, ignition or fire.



7. **WARNING:** Liquid or other food must not be heated in sealed containers since they are liable to explode.
8. Microwave heating of beverage can result in delayed eruptive boiling, therefore care has to be taken when handling the container.
9. Do not fry food in the oven. Hot oil can damage oven parts and utensils and even result in skin burns.
10. Eggs in their shell and whole hard-boiled eggs should not be heated in microwave ovens since they may explode even after microwave heating has ended.
11. Pierce foods with heavy skins such as potatoes, whole squashes, apples and chestnuts before cooking.
12. The contents of feeding bottles and baby jars should be stirred or shaken and the temperature should be checked before serving in order to avoid burns.
13. Cooking utensils may become hot because of heat transferred from the heated food. Potholders may be needed to handle the utensil.
14. Utensils should be checked to ensure that they are suitable for use in microwave oven.
15. **WARNING:** It is hazardous for anyone other than a trained person to carry out any service or repair operation which involves the removal of any cover which gives protection against exposure to microwave energy.
16. This product is a Group 2 Class B ISM equipment. The definition of Group 2 which contains all ISM (Industrial, Scientific and Medical) equipment in which radio-frequency energy is intentionally generated and/or used in the form of electromagnetic radiation for the treatment of material, and spark erosion equipment. For Class B equipment is equipment suitable for use in domestic establishments and in establishments directly connected to a low voltage power supply network which supplies buildings used for domestic purpose.
17. This appliance is not intended for use by persons (including children) with reduced physical, sensory or mental capabilities, or lack of experience and knowledge, unless they have been given supervision or instruction concerning use of the appliance by a person responsible for their safety.
18. Children should be supervised to ensure that they do not play with the appliance.
19. The microwave oven is only used in freestanding.
20. **WARNING:** Do not install oven over a range cook top or other heat-producing appliance. If installed could be damaged and the warranty would be void.
21. The microwave oven shall not be placed in a cabinet.
22. The door or the outer surface may get hot when the appliance is operating.
23. **WARNING:** Accessible parts may become hot during use. Young children should be kept away.
24. During use the appliances becomes hot. Care should be taken to avoid touching heating elements inside the oven, for cooking ranged and ovens.
25. The temperature of accessible surfaces may be high when the appliance is operating.
26. **WARNING:** If the door or door seals are damaged, the oven must not be operated until it has been repaired by a competent person
27. The instructions shall state that appliances are not intended to be operated by means of an external timer or separate remote-control system.
28. Never remove the distance holder in the back or on the sides, as it ensures a minimum distance from the



- wall for air circulation.
29. Please secure the turntable before you move the appliance to avoid damages.
 30. Caution: It is dangerous to repair or maintain the appliance by no other than a specialist because under these circumstances the cover have to be removed which assures protection against microwave radiation. This applies to changing the power cord or the lighting as well. Send the appliance in these cases to our service centre.
 31. The microwave oven is intended for defrosting, cooking and steaming of food only.
 32. Use gloves if you remove any heated food.
 33. Caution! Steam will escape, when opening lids or wrapping foil.
 34. This appliance can be used by children aged from 8 years and above and persons with reduced physical, sensory or mental capabilities or lack of experience and knowledge if they have been given supervision or instruction concerning use of the appliance in a safe way and understand the hazards involved. Children shall not play with the appliance. Cleaning and user maintenance shall not be made by children unless they are aged from 8 years and above and supervised.
 35. If smoke is emitted, switch off or unplug the appliance and keep the door closed in order to stifle any flames.

SPECIFICATIONS

Power Consumption	230-240V/50Hz, 1400W(microwave); 1000W(grill)
Output	900W
Operation Frequency	2450MHz
Outside Dimensions	281 mm(H)×483 mm(L)×400 mm(P)
Oven Cavity Dimensions	220 mm(H)×340 mm(L)×344 mm(P)
Oven Capacity	25 Litres
Cooking Uniformity	Turntable System
Net Weight	Approx. 14.5 kg



INSTALLATION GUIDE

1. Make sure that all the packing materials are removed from the inside of the door.
2. **WARNING!**-Check the oven for any damage, such as misaligned or bent door, damaged door seals and sealing surface, broken or loose door hinges and latches and dents inside the cavity or on the door. If there is any damage, do not operate the oven and contact qualified service personnel.
3. This microwave oven must be placed on a flat, stable surface to hold its weight and the heaviest food likely to be cooked in the oven.
4. Do not place the oven where heat, moisture, or high humidity are generated, or near combustible materials.
5. For correct operation, the oven must have sufficient airflow. Allow minimum 20cm of free space necessary above the top surface of the oven and 5cm at both sides. The microwave oven rear plate must be placed close to the wall. Do not cover or block any openings on the appliance. Do not remove feet.
6. Do not operate the oven without glass tray, roller support, and shaft in their proper positions.
7. Make sure that the power supply cord is undamaged and does not run under the oven or over any hot or sharp surface.
8. The socket must be readily accessible so that it can be easily unplugged in an emergency.
9. Do not use the oven outdoors.

GROUNDING INSTRUCTIONS

This appliance must be grounded. This oven is equipped with a cord having a grounding wire with a grounding plug. It must be plugged into a wall receptacle that is properly installed and grounded. In the event of an electrical short circuit, grounding reduces risk of electric shock by providing an escape wire for the electric current. It is recommended that a separate circuit serving only the oven be provided. Using a high voltage is dangerous and may result in a fire or other accident causing oven damage.

WARNING!-Improper use of the grounding plug can result in a risk of electric shock.

Note:

1. If you have any questions about the grounding or electrical instructions, consult a qualified electrician or service person.
2. Neither the manufacturer nor the dealer can accept any liability for damage to the oven or personal injury resulting from failure to observe the electrical connection procedures.

The wires in this cable main are colored in accordance with the following code:

Green and Yellow = EARTH

Blue = NEUTRAL

Brown = LIVE



RADIO INTERFERENCE

Operation of the microwave oven can cause interference to your radio, TV, or similar equipment. When there is interference, it may be reduced or eliminated by taking the following measures:

1. Clean door and sealing surface of the oven.
2. Reorient the receiving antenna of radio or television.
3. Relocate the microwave oven with respect to the receiver.
4. Move the microwave oven away from the receiver.
5. Plug the microwave oven into a different outlet so that microwave oven and receiver are on different branch circuits.

BEFORE CALLING FOR SERVICE

Before asking for service, please check each item below:

- Check to ensure the oven is plugged in securely. If not, remove the plug from the outlet, wait 10 seconds, and plug it in again securely.
- Check for a blown circuit fuse or a tripped main circuit breaker. If these seem to be operating properly, test the outlet with another appliance.
- Check to ensure the control panel is programmed correctly and the timer is set.
- Check to ensure the door is securely closed, engaging the door lock system. If the door is not properly closed, the microwave energy will not flow inside.

IF NONE OF THE ABOVE RECTIFIES THE SITUATION, THEN CONTACT A QUALIFIED TECHNICIAN. DO NOT TRY TO ADJUST OR REPAIR THE OVEN YOURSELF.

COOKING TECHNIQUES

1. Arrange food carefully. Place thickest areas towards outside of dish.
2. Watch cooking time. Cook for the shortest amount of time indicated and add more as needed. Food severely overcooked can smoke or ignite.
3. Cover foods while cooking. Covers prevent spattering and help foods to cook evenly.
4. Turn foods over once during microwave cooking to speed cooking of such foods as chicken and hamburgers. Large items like roasts must be turned over at least once.
5. Rearrange foods such as meatballs halfway through cooking both from top to bottom and from the center of the dish to the outside.

COOKING UTENSILS GUIDE

1. Microwave cannot penetrate metal. Only use utensils that are suitable for use in microwave ovens. Metallic containers for food and beverages are not allowed during microwave cooking. This requirement is not applicable if the manufacturer specifies size and shape of metallic containers suitable for microwave cooking.
2. Microwave cannot penetrate metal, so metal utensils or dishes with metallic trim should not be used.

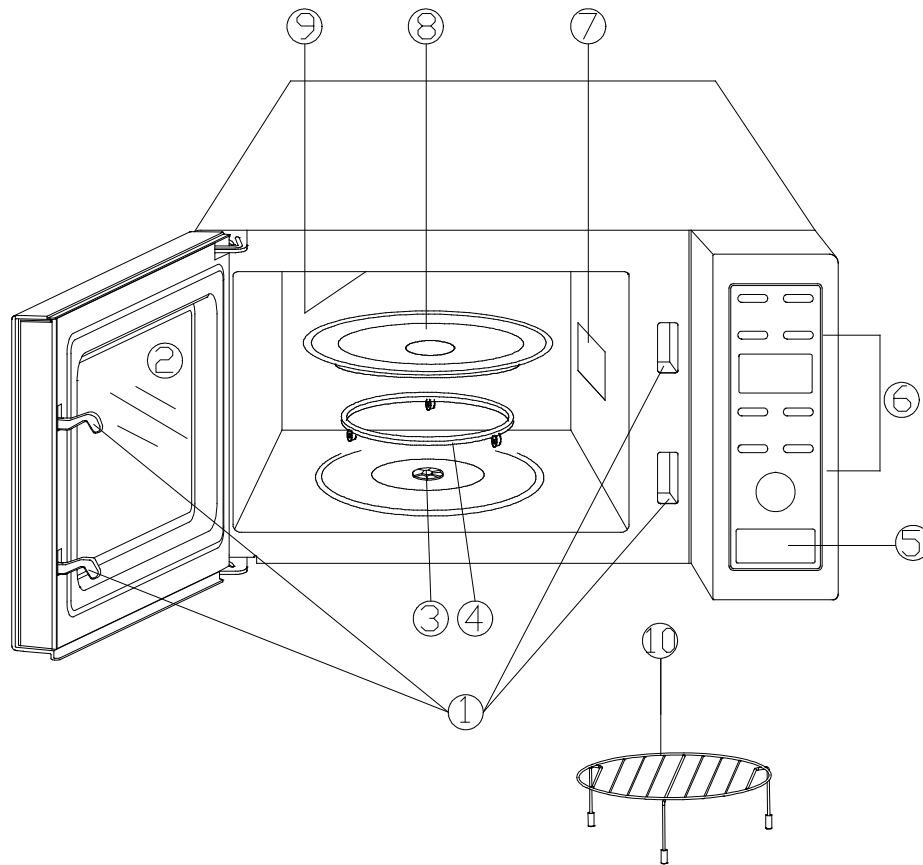


3. Do not use recycled paper products when microwave cooking, as they may contain small metal fragments which may cause sparks and/or fires.
4. Round /oval dishes rather than square/oblong ones are recommend, as food in corners tends to overcook.
5. Narrow strips of aluminum foil may be used to prevent overcooking of exposed areas. But be careful don't use too much and keep a distance of 1 inch (2.54cm) between foil and cavity.

The list below is a general guide to help you select the correct utensils.

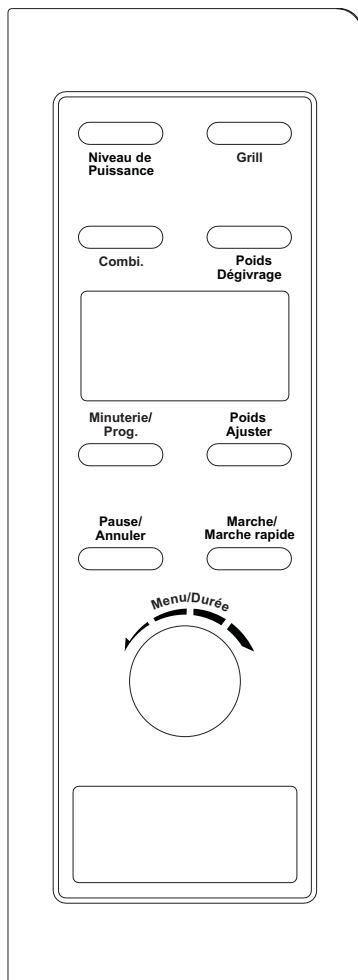
Cookware	Microwave	Grill	Combination
Heat-Resistant Glass	Yes	Yes	Yes
Non Heat-Resistant Glass	No	No	No
Heat-Resistant Ceramics	Yes	Yes	Yes
Microwave-Safe Plastic Dish	Yes	No	No
Kitchen Paper	Yes	No	No
Metal Tray	No	Yes	No
Metal Rack	No	Yes	No
Aluminum Foil & Foil Containers	No	Yes	No

PRODUCT DIAGRAM



1. Door Safety Lock System
2. Oven Window
3. Shaft
4. Roller Ring
5. Door Release Button
6. Control Panel
7. Wave Guide (Please do not remove the mica plate covering the wave guide)
8. Glass Tray
9. Grill Heater
10. Metal Rack

CONTROL PANEL



• DISPLAY

Cooking time, power, indicators and clock time are displayed.

• Niveau de Puissance : power level

Use to select microwave power level.

• Poids Dégivrage : weight defrost

Use to set defrost program based on weight enter.

• Poids Ajuster : weight adjust

Use to select the weight or amount of food.

• Grill

Use to set grill cooking.

• Combi.

Use to set microwave and grill combination cooking.

• Minuterie/ Prog. : clock/preset

Use to set the current time.

Use to start the oven at the appointed time.

• Marche/ Marche rapide : start/quick start

Use to start the oven or set quick start program.

• Pause/ Annuler : pause/cancel


Use to pause a cooking or cancel all settings.

• Menu/ Durée : menu/time knob

Use to set time or select auto cook menus.



OPERATION INSTRUCTIONS

- When the oven first plugged in, beep will sound and the display will show "1:01" and .
- During the setting mode, the system will return to waiting mode if there is not any operation within 20 seconds.
- During cooking, if press PAUSE/CANCEL pad once or open the door, the program will be paused, then press START/QUICK START pad to resume, but if press PAUSE/CANCEL pad twice, the program will be canceled.
- After ending cooking, the system will sound beeps to remind user every two minutes until user press any pad or open the door.

Setting Clock

This is a 24 or 12 hour clock, and you can select it by pressing CLOCK/PRESET pad.

1. Touch CLOCK/PRESET pad once or twice to choose 12 or 24 hour clock.
2. Turn MENU/TIME knob to set the hour digit.
3. Touch CLOCK/PRESET pad to confirm.
4. Turn MENU/TIME knob to set the minute digit.
5. Touch CLOCK/PRESET pad again to confirm.

Note: During cooking you can check the current time by touching CLOCK/PRESET pad.

Quick Start

In standby state, press START/QUICK START pad repeatedly to enter cooking time, the longest time is 10 minutes, and the oven will start automatically at 100% high power level.

Microwave Cooking

- To cook with microwave power alone, press the POWER LEVEL button a number of times to select a cooking power level, and then use the MENU/TIME dial to set a desired cooking time. The longest cooking time is 95 minutes. The oven will start cooking after START/QUICK START button is pressed.
- Select power level by pressing the POWER LEVEL button:

Press Power Level button	Cooking power
Once	100%
Twice	80%
3 times	60%
4 times	40%
5 times	20%
6 times	00%

For example, suppose you want to cook for 5 minute at 60% of microwave power.

1. Press POWER LEVEL button repeatedly until to show 60.
1. Turn MENU/TIME to 5:00.
2. Press START/QUICK START button..

Note: During cooking, you can check the present cooking power by pressing POWER LEVEL button. If you want



to cook at full power level, omit the first step.

Weight Defrost

The oven allows defrosting meat, poultry, and seafood. The defrosting time and power level are adjusted automatically once the weight is programmed. The range weight of frozen food varies between 100g and 1800g.

1. In standby mode, press WEIGHT DEFROST pad once.
2. Touch WEIGHT ADJUST pad repeatedly to select food weight.
3. Touch START/QUICK START pad.

Note: During defrosting program, the system will pause and sound beeps to remind user to turn food over, and then press START/QUICK START pad to resume

Grill Cooking

Grill cooking is particularly useful for thin slices of meat, steaks, chops, kebabs, sausages and pieces of chicken. The longest cooking time is 95 minutes.

1. Touch GRILL pad.
2. Turn MENU/TIME knob to enter cooking time.
3. Touch START/QUICK START pad.

Combination Cooking

COMBINATION 1: Use for fish or au gratin.

FOR EXAMPLE: Suppose you want to set combination 1 cooking for 25 minutes.

1. Touch COMBI. pad once to select the combination mode 1.
2. Turn MENU/TIME knob to enter cooking time. The longest time is 95 minutes.
3. Touch START/QUICK START pad.

COMBINATION 2: Use for puddings omelets, baked potatoes and poultry.

FOR EXAMPLE: Suppose you want to set combination 2 cooking for 12 minutes.

1. Press COMBI. button twice.
2. Turn MENU/TIME to 12:00. The longest cooking time you can set is 95 minutes.
3. Press START/QUICK START.

Note: During cooking you can check the combination mode by touching COMBI. button

Setting Child Lock

- The lock prevents unsupervised operation by children.
- To set the child lock: In standby mode, there is not any operation within 1 minute the oven will enter to child lock mode. In the lock state, the oven can't be operated.



- To cancel the child lock: In child lock mode, open or close the door to cancel child lock.

Preset Function

This function allows you to start a cooking program at an appointed time as you like.

1. Set a cooking program (except quick start and weight defrost).
2. Touch CLOCK/PRESET pad.
3. Turn MENU/TIME knob to set the hour digit.
4. Touch CLOCK/PRESET pad to confirm.
5. Turn MENU/TIME knob to set the minute digit.
6. Touch START/QUICK START pad to confirm.

Note: Before using the function, please confirm the clock time is correct. In preset state, the preset time can be seen by pressing CLOCK/PRESET pad, if press PAUSE/CANCEL pad when the display show the time, the function is cancelled

Auto Cook

For food or the following cooking mode, it is not necessary to program the duration and the cooking power. It is sufficient to indicate the type of food that you wish to cook as well as the weight of this food. In order to do this, rotate the MENU/TIME dial anti-clockwise to select a category of food/cooking mode, and then press WEIGHT ADJUST to indicate weight of food to be cooked. The oven begins cooking once the START/QUICK START button is engaged.

For example: to cook 400g of fish.

1. Turn MENU/TIME dial anti-clockwise until code A-6 displays.
2. Press WEIGHT ADJUST to indicate a weight of 400g.
3. Press START/QUICK START button.

Auto cook menus:

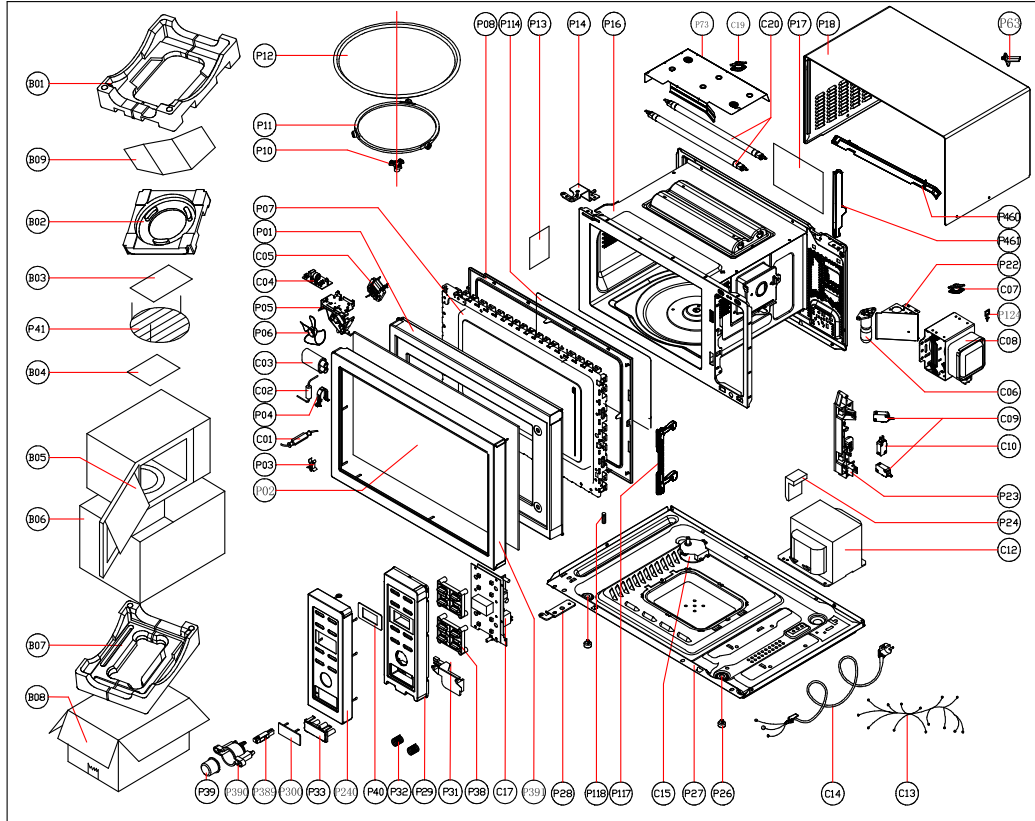
Code	Menu	Note:
A-1	Milk/Coffee (200ml/cup)	<ul style="list-style-type: none"> • For milk/coffee and potato, the display will show numbers of serving instead of weight when press WEIGHT ADJUST button. • For menus A-7 to A-9, use microwave and grill combination cooking, the others use microwave cooking, please choose suitable cookware. • For menus A-7 to A-9, during cooking, the system will pause and sound beeps to remind you to turn food over for uniform cooking, and then close the door and press START/QUICK START pad to resume. • The result of auto cooking depends on factors such as fluctuation of voltage, the shape and size of food, your personal preference as to the doneness of certain foods and even how well you happen to place food in the oven. If you find the result at any rate not quite satisfactory, please adjust the cooking time a little bit accordingly.
A-2	Rice (g)	
A-3	Spaghetti (g)	
A-4	Potato (230±10g/unit)	
A-5	Auto Reheat (g)	
A-6	Fish (g)	
A-7	Chicken (g)	
A-8	Beef/Mutton (g)	
A-9	Skewered Meat(g)	



CLEANING AND CARE

1. Turn off the oven and unplug the power cord from the wall when cleaning.
2. Keep the inside of the oven clean. When food splatters or spilled liquids adhere to oven walls, wipe with a damp cloth. Mild detergents may be used if the oven gets very dirty. Avoid using spray or other harsh cleaners. They may stain, streak or dull the door surface.
3. The outside of the oven should be cleaned with a damp cloth. To prevent damage to the operating parts inside the oven, water should not be allowed to seep into the ventilation openings.
4. Wipe the door and window on both sides, the door seals and adjacent parts frequently with a damp cloth to remove any spills or splatters. Do not use abrasive cleaner.
5. Do not allow the control panel to become wet. Clean with a soft, damp cloth. When cleaning the control panel, leave oven door open to prevent oven from accidentally turning on.
6. If steam accumulates inside or around the outside of the oven door, wipe with a soft cloth. This may occur when the microwave oven is operated under high humidity condition. And it is normal.
7. It is occasionally necessary to remove the glass tray for cleaning. Wash the tray in warm sudsy water or in a dishwasher.
8. The roller ring and oven floor should be cleaned regularly to avoid excessive noise. Simply wipe the bottom surface of the oven with mild detergent. The roller ring may be washed in mild, soapy water or in a dishwasher. When removing the roller ring, be sure to replace it in the proper position.
9. Remove odors from your oven by combining a cup of water with the juice and skin of one lemon in a microwaveable bowl. Microwave for 5 minutes. Wipe thoroughly and dry with a soft cloth.
10. If the light bulb burns out, please contact customer service to have it replaced.
11. The oven should be cleaned regularly and any food deposits should be removed. Failure to maintain the oven in a clean condition could lead to deterioration of surface that could adversely affect the life of the unit and could possibly result in a hazardous situation.
12. When the microwave ovens have grill function is first used, it may produce slight smoke and smell. This is a normal phenomenon, because the oven is made of a steel plate coated with lubricating oil, and the new oven will produce fumes and odor generated by burning the lubricating oil. This phenomenon will disappear after a period of using.

MICROWAVE OVEN
INSTRUCTION
25UX90



Art.	Name	Qty	Art.	Name	Qty	Art.	Name	Qty
P01	door frame	1	P28	lower hinge	1	P461	insulated strip B	1
P02	door window board	1	P29	face board	1	C01	H.V.fuse	1
P03	fuse socket	1	P31	prop	1	C02	h.v.diode	1
P04	capacitor holder	1	P32	button spring	1	C03	h.v. capacitor	1
P05	fan bracket	1	P33	button	1	C04	noisefilter	1
P06	fan blade	1	P38	button assembly	1	C05	fan motor	1
P07	door plate	1	P39	knob	1	C06	lamp	1
P08	shielding board	1	P40	display mirror	1	C07	thermostat 1	1
P10	connector	1	P41	metal rack	1	C08	magnetron	1
P11	roller ring	1	P63	buckle	1	C09	microswitch	2
P12	glass turntable	1	P73	heat shield	1	C10	microswitch	1
P13	splash shield mica sheer	1	P114	door pad	1	C12	H.V.transformer	1
P14	upper hinge	1	P117	door hinge	1	C13	wiring harness	1
P16	cavity	1	P118	door hinge spring	1	C14	power cord	1
P18	outer enclosure	1	P124	clamp holder	1	C15	turntable motor	1
P22	air duct bracket	1	P300	button pad	1	C17	p.c. board	1
P23	switch mount	1	P389	Auto-lock Button Assembly	1	C19	thermostat	1
P24	shock absorption rubber	1	P390	Encoder Holder	1	C20	quarts tube	2
P26	foot	2	P391	door shell	1			
P27	base plate	1	P460	insulated strip A	1			

STANDARDS AND DIRECTIVES

The device complies with current EU standards and directives. If necessary, we will send you the corresponding declaration of conformity.



PACKAGING DISPOSAL

Please separate the packaging materials accordingly and return them to the responsible collection points for recycling and environmental housing.



DEVICE DISPOSAL

Once the appliance has been used up, dispose of it properly at a collection point for electrical appliances. Electrical appliances do not belong in household waste.

Your responsible administration will inform you about the addresses and opening hours of collection points. This is the only way to ensure that old appliances are properly disposed of and recycled. Thank you very much!



CE